

ERGON D.O.O.



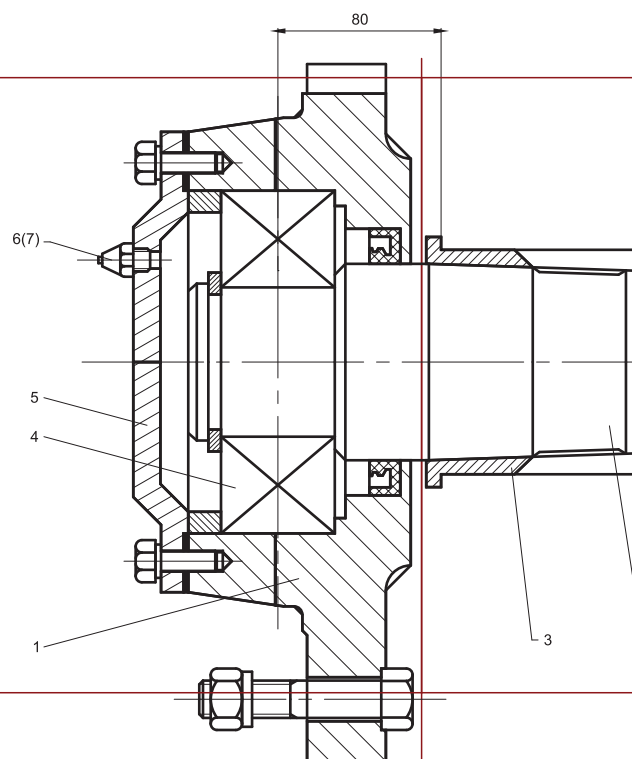
valves and pumps **SPECIALIST**

PRODUCTION

OVERHAUL

ENGINEERING

CONSULTING





Dear Friends,

Here you can get acquainted with our production programme and the range of the services we offer.

The business co-operation with our firm will enable you to get assured of the **QUALITY** of our products as a basic postulate that our firm has been led by since 1993. The quality and liability are the basic aims of the "Ergon" business policy which resulted in a fine reputation among our partners.

The maintenance of the highest level of the quality in the business we do is our primary business task that, together with showing the respect to all items of a contract, brings our relationship with customers to the highest level of a partnership.

Regardless the complexity of your demand as well as the volume of business, our relationship towards your needs is treated equally responsibly and professionally. Thanks to this, we are respected by many partners and our products have been built in the systems on very responsible positions.

Respecting safety, health, working and living environment protection regulations, we show our professional and social responsibility.

The employees' permanent training makes the "Ergon" be well acquainted with technical innovations and it tries to keep its already earned reputation, a good business relationship with business partners as well as to make close relations with future associates.

Thank you for believing in us. On the behalf of all employees of the "Ergon" and myself I thank you for believing in us and we will make our efforts to go on being a leading firm in realization of typical and specific demands for the equipment in the field of a process technique.

Hoping to satisfy your demands successfully, best wishes and every success.

Yours truly

Zvonko Bagaric, General manager

REFERENCES:

- | | |
|---|----------------------------|
| Messer Beograd | BIP |
| Messer Aligaz (Turska) | RTB Bor |
| Messer plin Sarajevo | RD Diagnostika Beograd |
| NIS Novi Sad | Vatrosprem |
| Cryo gas Beograd | Titan Kosjerić |
| Henkel Kruševac | Energotok Beograd |
| US Steel | Coca cola Helenica Beograd |
| Al Pack Subotica | Fuel Boss Zenica |
| WIG Beograd | Mital Tuzla |
| PPT fabrika idustrijske pneumatike Trstenik | Euro gas Beograd |
| RM Alkon Stahl Beograd | Bexing Beograd |
| Jagodinska pivara | SOL IMG |



Cryo gas



BEXING





ERGON d.o.o.

ERGON d.o.o. the firm for production, engineering, consulting and trading was established in 1993.

*Production programme ERGON has been established in order to meet the needs of market in the domain of investing equipment, investment and current maintenance in chemical, pharmaceutical and food industries, and in the domain of energetics, petro-chemical industry and application of technical gases. Beside the fact that ERGON produces the products after **SRPS, GOST, DIN, ISO, ANSI** norms, the firm stood out in solving the atypical problems related to the satisfying the functions of specific products, especially in the domain of high aggressive and high – abrasive fluids, pipelines exposed to pneumatic or hydro impacts and high-explosive gases.*

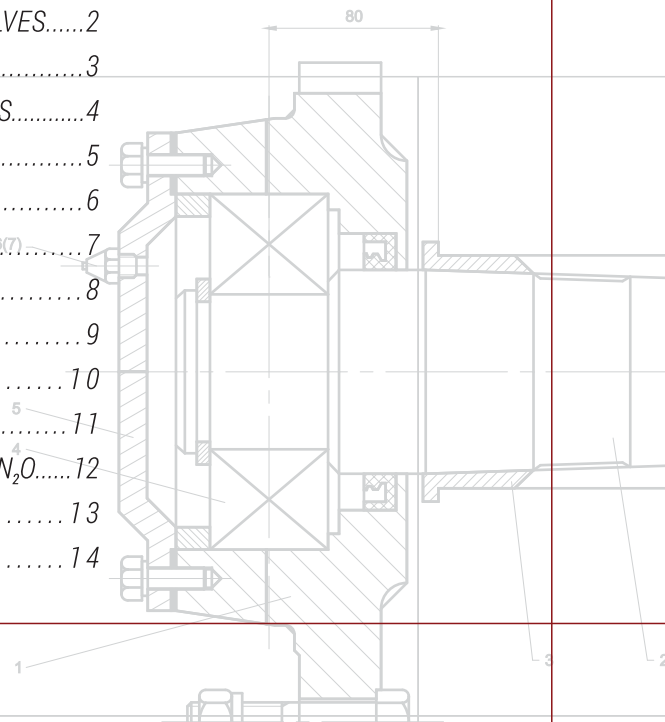
Respecting the quality politics is the heart of all our activities. Ergon applies about 99% of material they can be recycled and so it contributes to environment protection but also to saving energy and raw materials.

We also offer overhaul of taps, valves and pumps of all manufacturers as well as complete engineering that is solving of the problems in the process of production, together with manufacture and providing of the equipment and mounting.



SADRŽAJ:

	BALL VALVES.....	1
	THREE-WAY BALL VALVES AND VALVES FOR SAFETY VALVES.....	2
	BALL VALVES AND CAPS WITH ACTUATORS.....	3
	RELIEF VALVES AND SELF-ACTING PRESSURE RELIEF VALVES.....	4
	SPRING-LOADED SAFETY VALVES.....	5
	GLOBE AND CONTROL VALVES.....	6
	STRAINERS, CHECK VALVES AND LEVEL GAUGES.....	7
	SINGLE STAGE CENTRIFUGAL PUMPS.....	8
	CONTROL DEVICES.....	9
	PROCESS CONTROL PANELS.....	10
	TECHNICAL GAS COLLECTORS.....	11
	CRYOGENIC EQUIPMENT - CRYOGAS EQUIPMENT - O ₂ , N ₂ , Ar, CO ₂ , N ₂ O.....	12
	FITTINGS.....	13
	WELDING.....	14



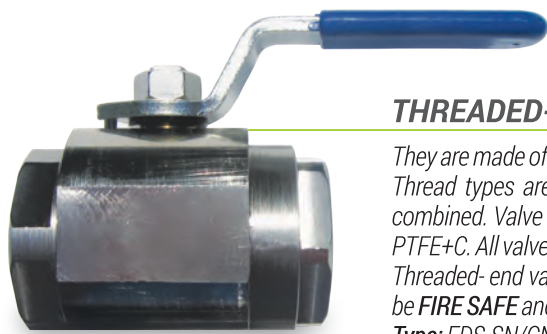


BALL VALVES



WAFER BALL VALVES

Wafer ball valves are used worldwide thanks to their safety and easy dismantling. Valve housing is made of carbon steel or stainless steel. Valve seat can be made of PTFE, POM-C, PTFE+GLASS, PTFE+C. All valve sizes, from DN15 to DN300, are FULL BORE valves. They have ANTI BLOWOUT spindle, and depending on the order they can be FIRE SAFE and ANTI STATIC. They are made according to ANSI, DIN, GOST, ISO standards. They are produced for pressure grade PN6-PN300.
Type: WAFER EWS BC – ASA

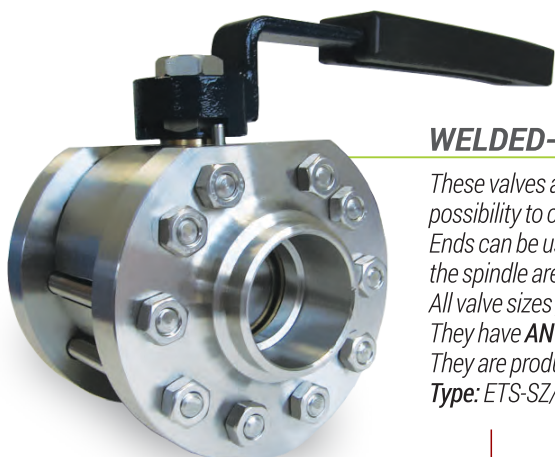
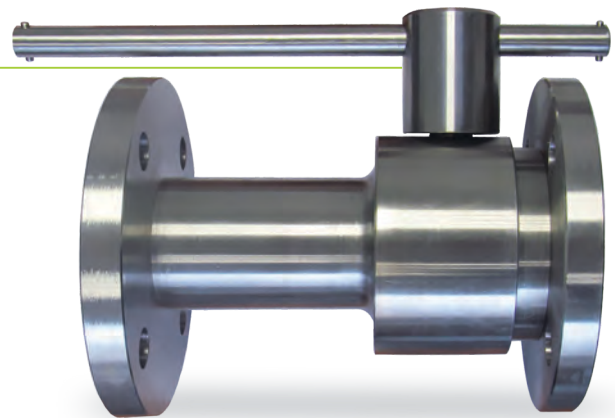


THREADED- END BALL VALVES

They are made of stainless steel, brass, and carbon steel. Thread types are G THREADS, NPT, UNF, W,TR, Rd, and they can be external, internal and combined. Valve seat and the packing on the spindle are made of PTFE, POM-C, PTFE+GLASS, PTFE+C. All valve sizes, from 3/8" to 6", are FULL BORE valves. Threaded- end valves have ANTI BLOW OUT construction and depending on the order they can be FIRE SAFE and ANTI STATIC. They are produced for pressure grade PN6-PN400.
Type: EDS-SN/CN

ONE- PIECE BALL VALVES

Thanks to its construction, this type of valve is most suitable for installation of pipelines with industrial and technical gases. One- piece ball valves are made of stainless steel and carbon steel. The seat can be made of PTFE, POM-C, PTFE+GLASS. All valve sizes are FULL BORE valves, from DN15 to DN50. One- piece ball valves have ANTI BLOW OUT construction and depending on the order they can be ANTI STATIC and FIRE SAFE. They are made for pressure grade PN6-PN300.
Type: EJS-SP/CP



WELDED- END BALL VALVES

These valves are made of stainless steel and carbon steel. Thanks to the way it is installed and the possibility to change the ball seat where the valve is built in, this type of valve is widely used. Ends can be used for butt weldnig (BW) and socket welding (SW). The valve seat and the packing on the spindle are made of PTFE, POM-C, PTFE+GLASS, PTFE+C. All valve sizes, from DN6 to DN250, are FULL BORE valves. They have ANTI BLOW OUT structure and depending on the order they can be ANTI STATIC. They are produced for pressure grade PN6-PN150 and as a FULL BORE type.
Type: ETS-SZ/CZ



ALUMINUM BALL VALVES

They are produced for transport of dry cement, and modified aluminum ball valves are used for transport of petrol. Specially shaped seats and choice of material guarantee long usage time. Thrust bearings on both sides of the ball provide easy handling regardless of the load on the ball. The ball and the spindle are made of stainless steel. They are produced in sizes **DN15-DN 300**, with threaded ends or flanges with standard and non-standard dimensions.

Type: ETS-ALP

PLASTIC BALL VALVES (PEHD, PPHD)

These are used for HCL, in chemical industry and in water treatment. In the structure of ball valves the housing and the fitting are independent (block housing) which increases safety of the valve.

Connection to the pipeline can be flanged, threaded, welded or hose.

These are **FULL BORE** valves and they come in sizes **DN15- DN300** for pressure grade up to **PN16**.

Type: EPKS-YP



THREE - PIECE BALL VALVES WITH FLANGES

They are made of stainless steel and carbon steel.

The seat and the packing on the spindle are made of PTFE, POM-C, PTFE+GLASS,

PTFE+C. All sizes, from **DN15 to DN300** can be **FULL BORE** types of valves.

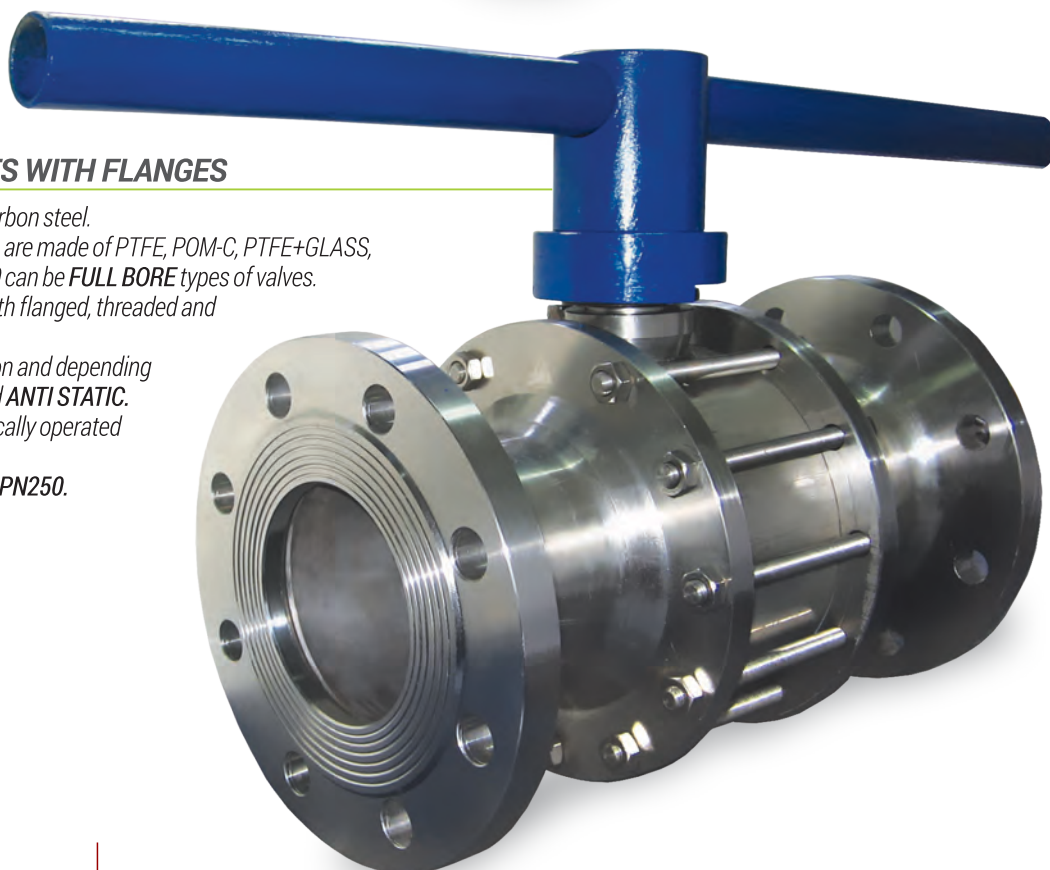
Three-piece ball valves are produced with flanged, threaded and weld ends (BW, SW).

They have **ANTI BLOW OUT** construction and depending on the order they can be **FIRE SAFE** and **ANTI STATIC**.

Valve control can be manual, pneumatically operated or by electric motor reducer.

They are made for pressure grade **PN6-PN250**.

Type: ETS-SP/CP

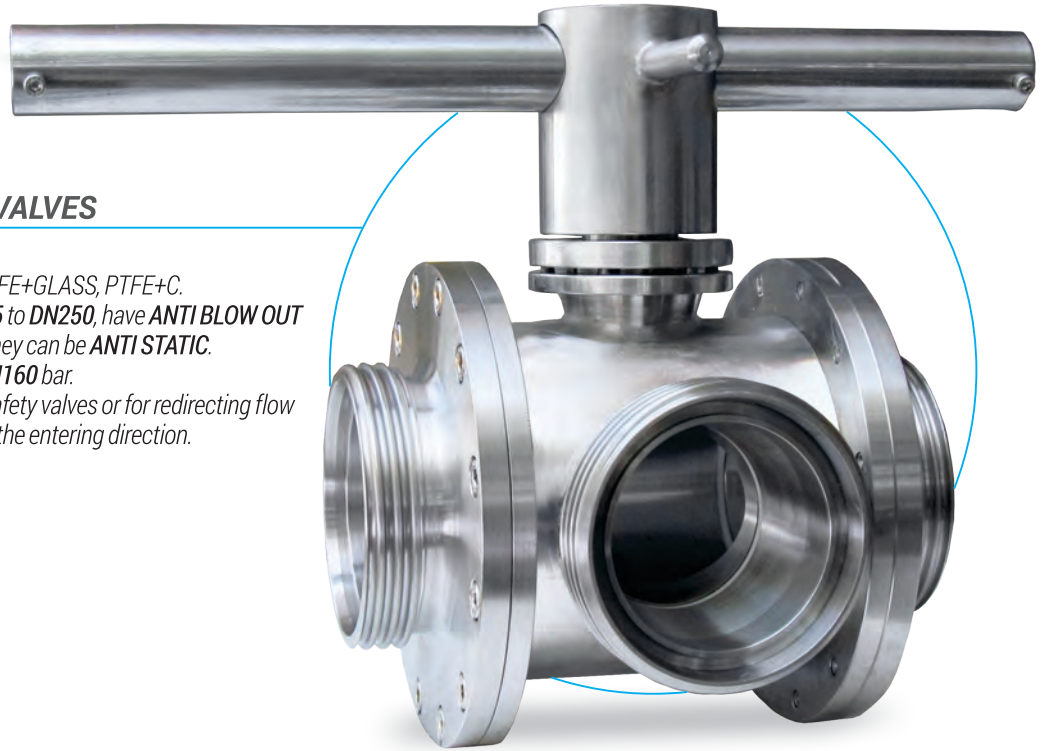




THREE-WAY BALL VALVES AND VALVES FOR SAFETY VALVES

THREE-WAY BALL FEEDING VALVES

They are made of stainless steel.
The seats can be made of PTFE, POM-C, PTFE+GLASS, PTFE+C.
All sizes of three-way ball valves, from DN15 to DN250, have ANTI BLOW OUT construction, and depending on the order they can be ANTI STATIC.
They are made for pressures grade PN6-PN160 bar.
They are used as three-way ball valves in safety valves or for redirecting flow of fluids in pipelines to the left or right from the entering direction.
Type: ETKS-SP

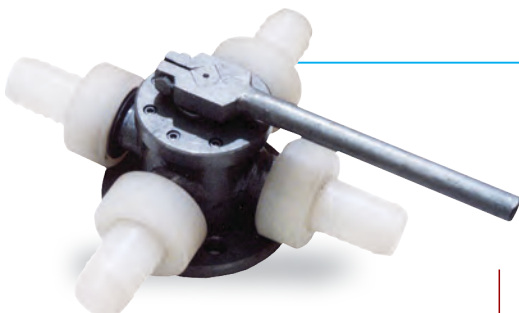
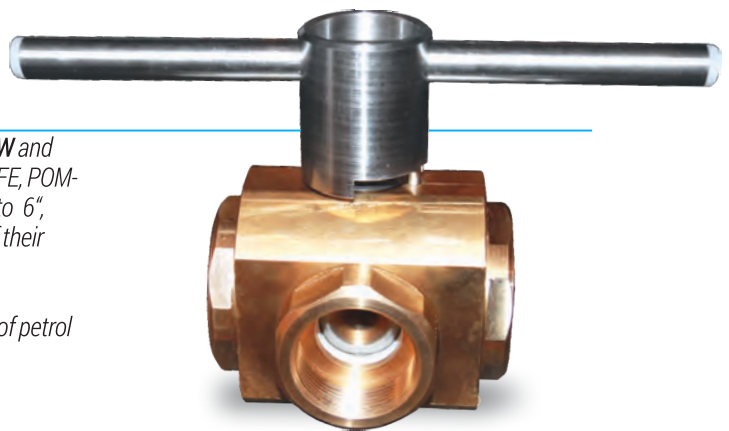


THREE-WAY HIGH PRESSURE BALL VALVES WITH THREADED ENDS

They are made of stainless steel, brass, and carbon steel. Thread types can be G THREAD, NPT, UNF, W, TR, Rd, and they can be external, internal and combined. All three-way ball valves with thread end sizes, from 3/8" to 6", have ANTI BLOW OUT construction and depending on the order they can be ANTI STATIC. They are made for pressure grade PN6-PN400bar.
They are used as three-way ball valves for gases or for redirecting flow of fluids in pipelines to the left or right from the entering direction.
Type: ETKS-SN

THREE-WAY BALL VALVES FOR PETROL WITH THREADED ENDS

These are made of brass. Threads types can be G THREADS, NPT, UNF, W and they can be external, internal and combined. Seats can be made of PTFE, POM-C, PTFE+GLASS. All sizes of three-way ball valves for petrol, from 3/8" to 6", have ANTI BLOW OUT and ANTI STATIC construction, and because of their forth seat they can stop flow into the left and right leg of the pipeline.
They are produced for pressure grade PN6-PN300 bar.
They are used as three-way ball valves for quick redirection of the flow of petrol with the possibility of closing both legs.
Type: ETKS-SN-4S



THREE-WAY PLUG BALL VALVES 5/4

This valve can redirect fluid from one entrance to one of the four exits. They are made of stainless steel, structural steel or brass. Ends can be threaded, flanged, welded or hose. The gasket is made of PTFE, POM-C, PTFE+GLASS, PTFE+C, and valve wedge is made of stainless steel. They are produced for pressure grade PN6-PN160 bar.
Type: ER-5/4

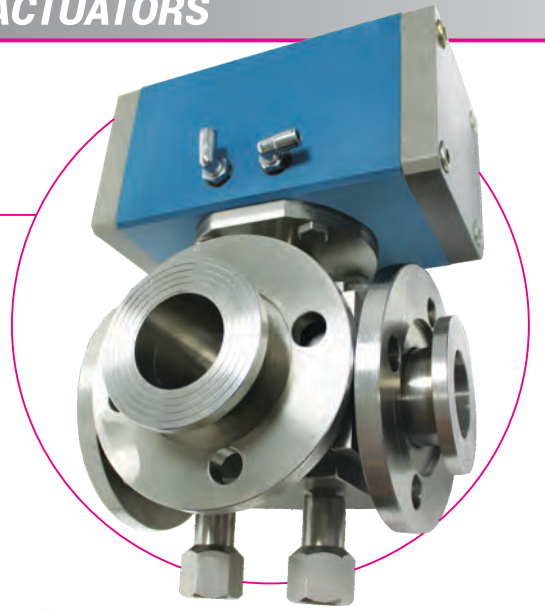


BALL VALVES AND CAPS WITH ACTUATORS

THREE-WAY BALL VALVES WITH PNEUMATIC ACTUATOR

Three-way bidirectional ball valves with pneumatic actuator with hot water fittings. They have lined housing, and flow of hot water between the lining and the housing keeps the fluid at the desired temperature. This system is used in food industry in the production of chocolate. Connection with the pipeline can be flanged, threaded, welded or hose.

Type: TKS-SP-O-PD



ONE-PIECE BALL VALVES WITH PNEUMATIC ACTUATOR

Thanks to its construction these valves are most suitable for installation on the pipelines with industrial and combustion gases. One-piece ball valves are made of stainless and carbon steel. They are produced in sizes DN15- DN50. This type of one-piece ball valve has one-way pneumatic actuator. This type of one-piece ball valve with pneumatic one-way actuator is set in highly responsible positions. They are produced for pressure grade PN6-PN300.

Type: EJKS-SP-PJ

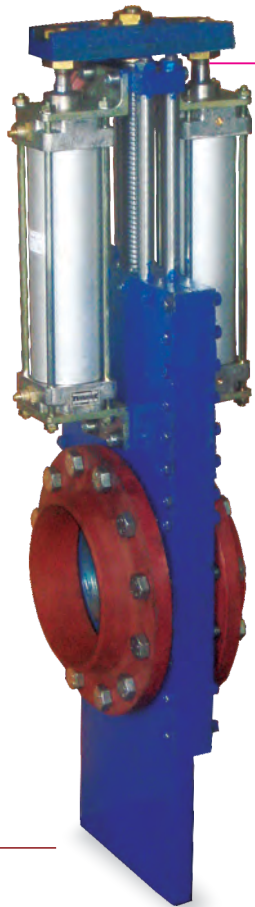


PLATE GATE VALVE WITH LINEAR PNEUMATIC ACTUATOR

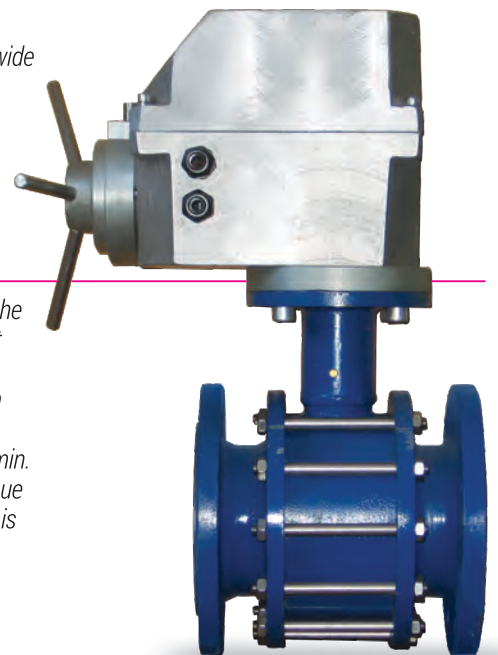
Gate valves with linear pneumatic double action actuator are made of structural or stainless steel. Their control panels have appropriate surface hardness. They are produced in sizes DN50-DN300 and for pressure grade PN6-PN10. Gate valves are used as shut-off valves in transporting abrasive fluids, lime, pulp through pipelines. It is recommended to install them in the pipelines where they can be wide open or shut. They are not suitable for installation in places with high frequency of opening and closing.

Type: EPZ-CB-PL

BALL VALVES WITH REDUCER

They are driven by electric motor, and controlled from the control room. Electronics on the ball valves have output signals that indicate open or shut valve position. These valves are manually driven and have signal light which indicates the mode: manual or motor. Motor characteristics: 80W, 220V, number of turns is 2750 t/min. Reducer characteristics: transferring ratio 1:7000, torque max: 250Nm. Installation of regulatory control system is possible.

Type: ETS-CP-EM





RELIEF VALVES AND SELF-ACTING PRESSURE RELIEF VALVES



MEMBRANE PRESSURE RELIEF VALVES

These valves are constructed in such way that their entrance and exit are on the pipeline axis (axial type). Increased pressure on the pipeline opens the valve through its membrane, and the excess of fluid returns to the provided places.

Pressure relief valves are made of stainless steel, steel, brass and plastic. They are used for pressure grades up to **$P_{max}=40$ bar**, acids, alkalis, water and technical gases. They are produced in sizes from **DN10 to DN25**.

Type: EPV-ASN

SELF-ACTING RELIEF VALVES

They are used for technical gases, water vapour or water during constant consumption.

They are made of stainless steel, structural steel, polymers. Pipeline fitting can be flanged or threaded. The main function of relief valves is to keep output pressure constant. Maximum output pressure is **$P_{max}=40$ bar**, minimum output pressure is **$P_{min}=0.5$ bar**. They are produced in sizes from **DN15 to DN200**.

As for their construction, they can be single or double-seat valves.

Type: ERV-ASP



PRESSURE RELIEF VALVES WITH OPEN SPANNER SCREW

They are used to keep inlet pressure in the system constant. This type of pressure relief valves is used for diesel fuel, petrol, oils etc. Construction of these pressure relief valves allows easy adjustment of the opening with specific span of pressures at the entrance. In case of exceeding the system pressure, the valve opens and the excess of fluid flows back into the tank through the output flange. They are made for pressure grades up to **$P_{max}=300$ bar** and in sizes **DN10- DN50**.

Type: EPV-UCP





SPRING-LOADED SAFETY VALVES

SPRING-LOADED SAFETY VALVES – ANGLE VALVES

The pipeline or container connection is threaded.
 Depending on the connection with the pipeline threads can be **G, NPT, UNF, W**.
 They are used for combustion gases (hydrogen H₂, petrol vapors, **TNG, CNG**).
 They are produced for pressure grades **PN6- PN300 bar** in sizes **G3/8"- G2"**.
 Type: **EVS-UMSN**



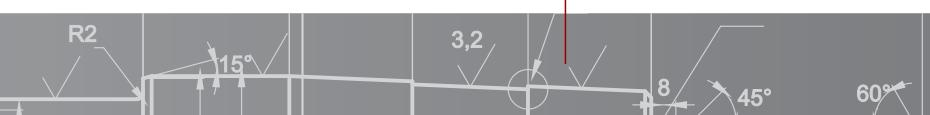
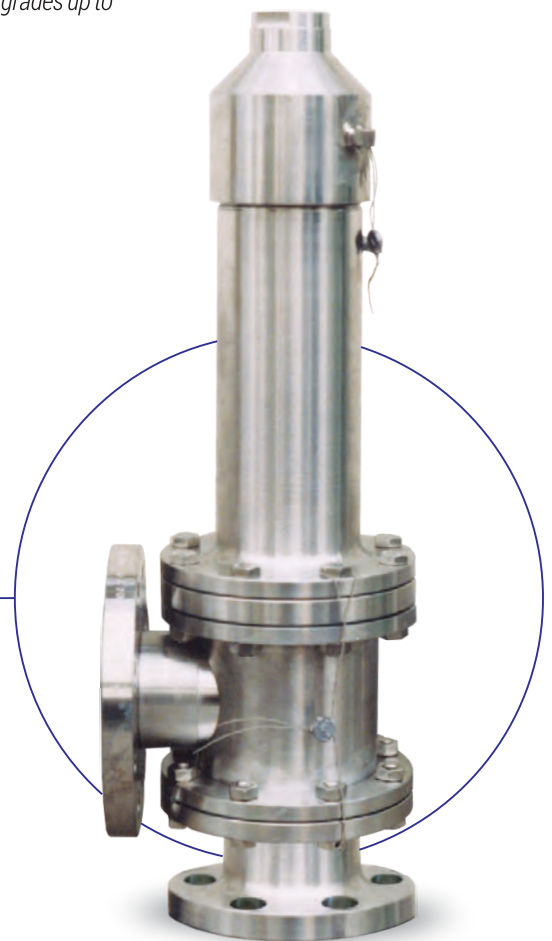
SAFETY HIGH PRESSURE VALVES

These are made of stainless steel, structural steel or brass.
 They are used as the most important protection from accidents in high pressure systems. In this type of safety valves the fluid pressure in the pipeline is opposed by spring force through the seat and poppet.
 Pipeline connection is threaded and these are produced for pressure grades up to **P_{max}=300 bar** and in sizes **DN2-DN50**.
 Type: **EVS-USN**



SPRING-LOADED SAFETY VALVES – ANGLE VALVES

These are made of stainless steel.
 Pipeline or container connection is flanged. They are used for oxygen installation, pipelines with technical gases, in food and chemical industry. They are produced for pressure grades up to **PN6- PN200 bar** and in sizes **DN10-DN200**.
 Type: **EVS-USP**





GLOBE AND CONTROL VALVES



CRYOGENIC GLOBE VALVES

They are produced for liquid gases O_2 , N_2 , Ar , He , H_2 , CO_2 , NH_3 .
They are made of stainless steel or brass.

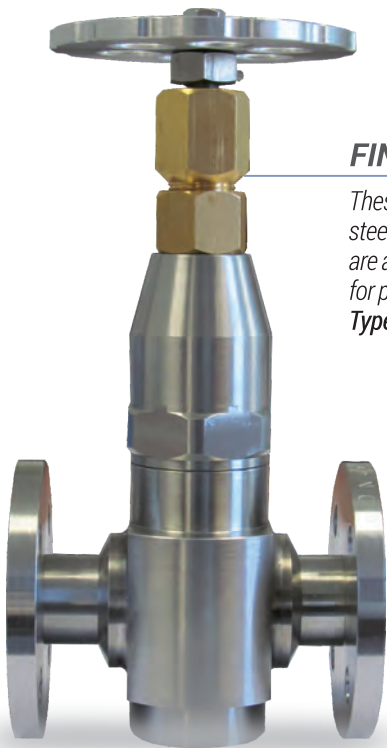
They are installed on stable tanks for storing liquid gases or portable car tanks. These can be operated manually, pneumatically or by electric motor. Pipeline connection can be welded (BW, SW), threaded or flanged. They are produced in sizes DN10-DN80.

Type: ERZV-CRYO-SW

FINE CONTROL GLOBE VALVES

These are used for liquids, gases and water vapour. They are made of stainless steel, brass or structural steel. Besides manually operated valves, these valves are also produced with electromotor or pneumatic actuator. They are produced for pressure grades up to PN63 bar and in sizes DN10-DN50.

Type: ERZV-RR-SP



BOTTOM DRAIN VALVES

These are made of stainless steel or structural steel.

They are installed on stable tanks, mobile truck or wagon tanks.

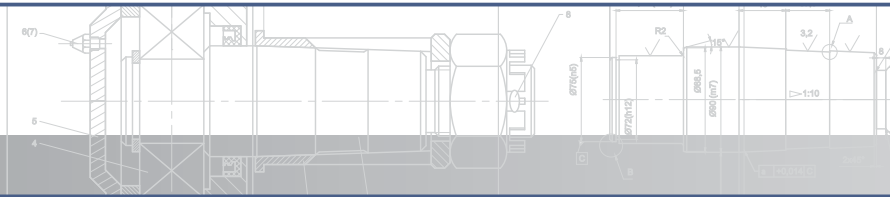
Gaskets are made of teflon or rubber.

They are used in chemical industry or for gases.

Their dimensions go from DN15 to DN200 and they are produced for pressure grades up to PN63 bar.

Type: EVD-SP





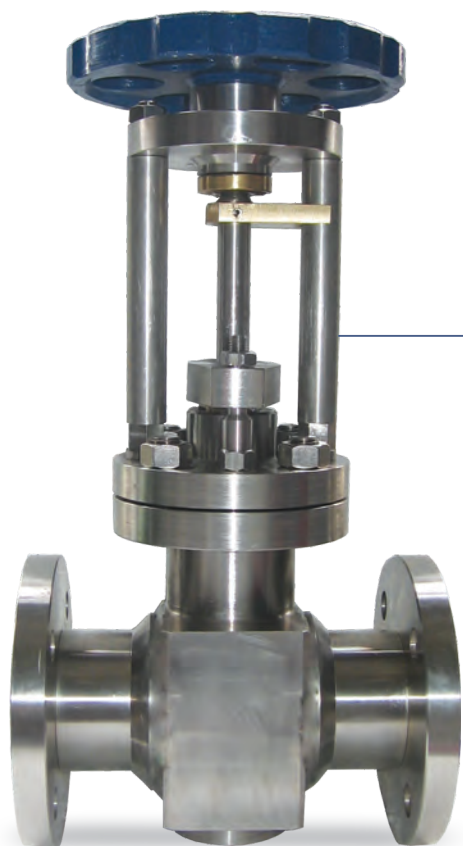
SRAIGHT PATTERN GLOBE VALVE- SMALL DIMENSION VALVES

These are used for technical gases O_2 , N_2 , Ar, N_2O , He, C_2H_2 and they are made of brass. They can also be produced in the form of vacuum valves. They are produced for pressure grades up to **PN600 bar** and in sizes **DN6-DN25**.
Type:ERZV-MN-TG



GLOBE VALVES FOR LIQUID, GAS AND WATER VAPOUR

These are made of stainless steel, brass or structural steel. Pipeline connection can be flanged, threaded or welded. Besides manually operated valves, these valves are also produced with electric motor or pneumatic actuator. Depending on the order they can be produced in the form of globe control valves. They are produced for pressure grades up to **PN300 bar** and in sizes **DN10-DN50**.
Type:ERZV-SP



PLASTIC GLOBE VALVES

These are used for aggressive fluids HCl , $NaOCl$, H_2SO_4 (20%-40%). They are made of PEHD, PE, PVDF. These valves are installed on pipelines, mobile or stable tanks. Pipeline connection can be flanged, threaded or welded. They are produced in sizes **DN10- DN80** and for pressure grade **PN10 bar**.
Type: ERZV-PP



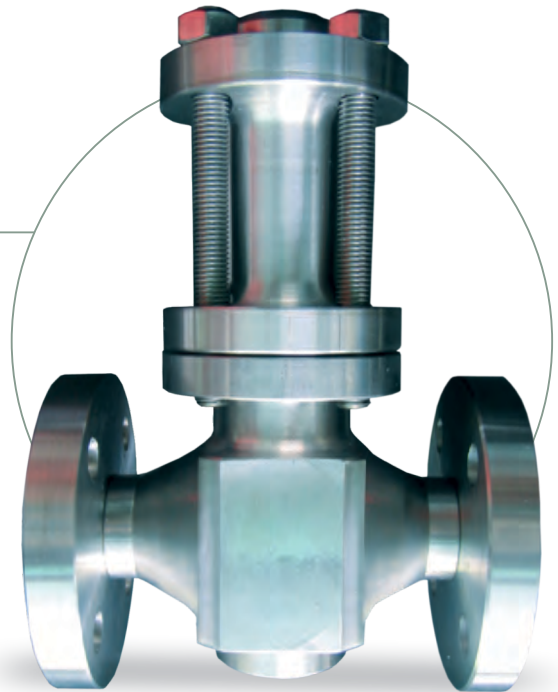


STRAINERS, CHECK VALVES AND LEVEL GAUGES

GAS STRAINERS WITH FLANGED CONNECTIONS - RADIAL VALVES

These are used on the pipeline sections where their installation is more suitable than that of axial valves. This type is used for high pressure installations. The housing is made of carbon or stainless steel. Valve ends can be threaded, welded SW, BW or flanged. They are made for pressure grades **PN6-PN300bar** and in sizes **DN15-DN300**. Filter fineness depends on the request and can go from **5µm** to **25µm** (fine filtration) or **25µm -200µm** (rough filtration). The sieve is made of stainless steel.

Type: EHN-RT-SP



STRAINERS WITH WELDING ENDS- AXIAL VALVES

Besides those with welded ends, strainers can have flanged or threaded ends. The housing is made of stainless steel or steel depending on the type of gas, and the filter grid is made of stainless steel.

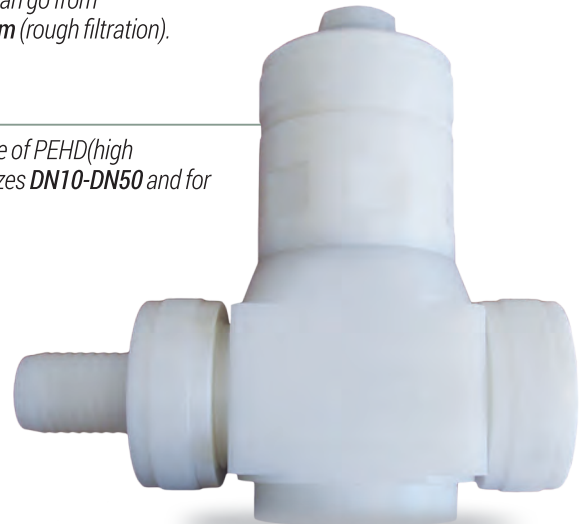
These are produced for pressure grades **PN6-PN300bar** and in sizes **DN15-DN300**. Filter fineness depends on the request and can go from **5µm** to **25µm** (fine filtration) or **25µm -200µm** (rough filtration).

Type: EHN-A-SZ

PLASTIC STRAINERS- RADIAL VALVES

The ends of these strainers can be threaded, flanged, welded or hose. The housing is made of PEHD (high consistency polyethylene) or PPHD (high consistency polypropylene). These are made in sizes **DN10-DN50** and for pressure grades up to **PN16 bar**. They are used in HCL plants.

Type: EHN-PE

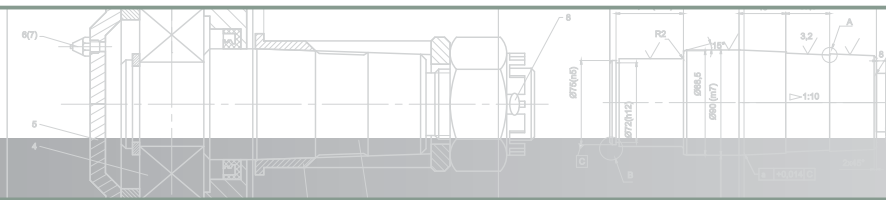


STRAINERS WITH FLANGED CONNECTIONS- RADIAL VALVES

These are used on the pipeline sections where installation of axial valves is not possible. The housing is made of cast steel or grey cast and the filter grid is made of stainless steel. These are produced for pressure grades **PN6-PN40bar** and in sizes **DN15-DN300**. Filter fineness depends on the request and can go from **5µm** to **25µm** (fine filtration) or **25µm -200µm** (rough filtration).

Type: EHR-RPC



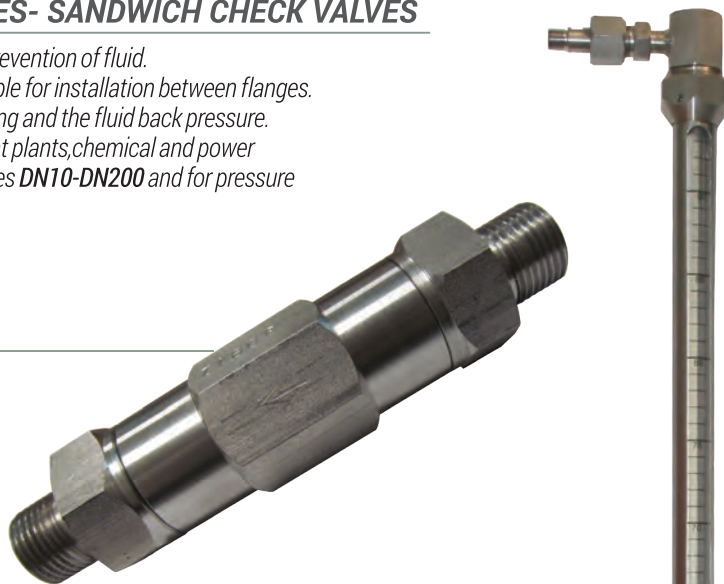


WAFER CHECK VALVES- SANDWICH CHECK VALVES

These are used as a backflow prevention of fluid. This type of check valve is suitable for installation between flanges. Closing is performed by the spring and the fluid back pressure. They are used in water treatment plants, chemical and power plants. They are produced in sizes **DN10-DN200** and for pressure grades up to **PN 40 bar**.
Type: EWNP-S

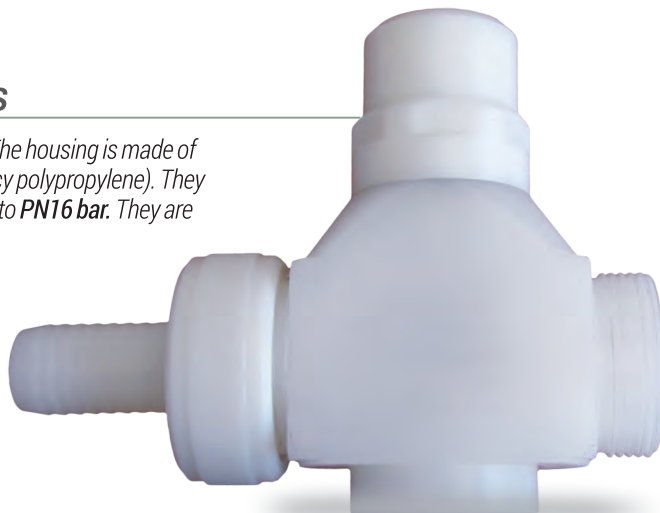
HIGH PRESSURE CHECK VALVES

These are used for technical gases, on high pressure pipelines, control panels, laboratories etc. The housing can be made of stainless steel, brass or carbon steel. Installed position of the check valves can be horizontal or vertical. Ends can be threaded or flanged. They are produced in sizes **DN10-DN50** and for pressure grades up to **PN16-PN300 bar**.
Type: ENVA-SN



PLASTIC CHECK VALVES-RADIAL VALVES

Ends of these check valves can be threaded, welded or hose. The housing is made of PEHD (high consistency polyethylene) or PPHD (high consistency polypropylene). They are produced in sizes **DN10-DN50** and for pressure grades up to **PN16 bar**. They are used in HCL plants.
Type: EHN-PE



VISOR GLASS WITH FLANGED ENDS

These are used when visual flow control is sufficient. These are produced with flanged, welded SW, BW or threaded ends. The housing is made of structural steel or stainless steel. Visor glass is tempered and suitable for temperatures are up to **300 C °**.
Type: EVSK-CP

LEVEL GAUGE WITH THREADED ENDS AND RELIEVING TAP

These are used for reading the level of liquid in a tank. The glass pipe of the level gauge is protected with stainless steel pipe which is open on both sides and this provides clearer reading. Sealing is performed with additional tightening of the nut which can not damage the glass pipe. Level gauges can be made with flanged connections.
Type: EN-SN





SINGLE STAGE CENTRIFUGAL PUMPS

DECARBONISATION PUMPS

These pumps are mostly movable and they are mounted on wheels. They are delivered with command cabinet so turning the pump on in the plant can not cause the electric motor to run in the wrong direction. Decarbonisation pumps are used for decarbonisation of boilers, exchangers, pipelines etc. Pipeline connection can be flanged or hose.
Type: ECP-ZD

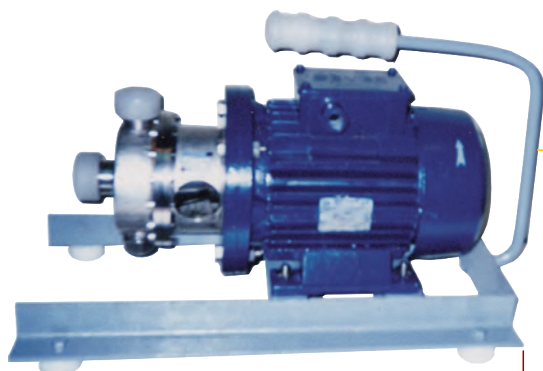
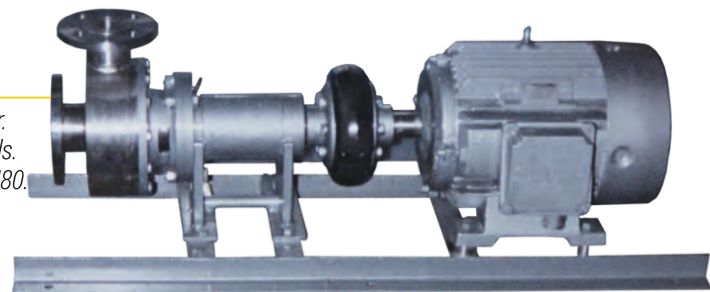


CENTRIFUGAL PUMPS FOR HCL AND OTHER HIGHLY AGGRESSIVE LIQUIDS

These pumps are made of plastic masses, and dynamic sealing is performed with mechanical gasket. These pumps come with accompanying equipment which includes: dry-running protection device, check valve, venting valve and command cabinet.
Type: ECP-PE-H

STABLE CENTRIFUGAL SINGLE STAGE PUMP

Stable single stage centrifugal pump with a shaft seal and electric motor connector. These are used for transporting and pumping aggressive and non-aggressive liquids. Pipeline connection is flanged. Suction-repression: DN10- DN 100 UP TO DN10-DN80.
Type: ECP-SN



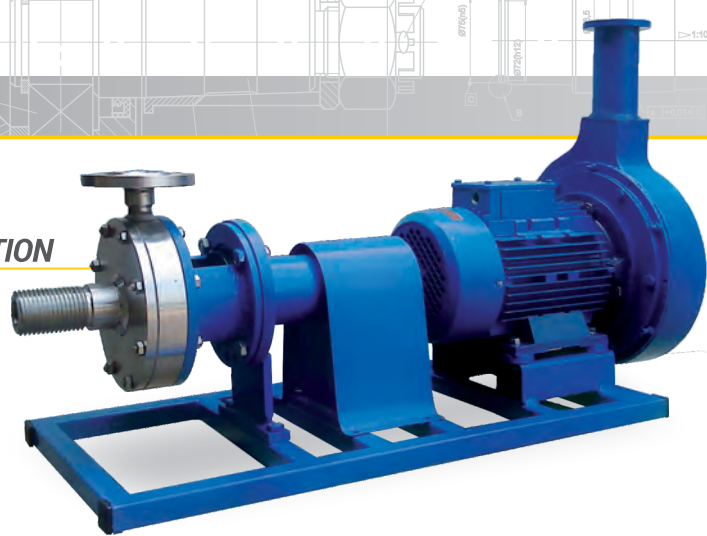
PORTABLE SINGLE STAGE CENTRIFUGAL PUMPS

These are installed in systems for aggressive liquids. A mechanical gasket or twist is built in. Connections are adjusted with hose connectors. Suction-repression: 1/2" - 2" to 3/8" - 5/4".
Type: ECP-SP



CENTRIFUGAL PUMPS FOR ALCOHOLIC VINEGAR PRODUCTION

This device consists of an acid pump, a ventilator which brings air and a reactor. These are connected with the pipeline connections through hose fittings, threads for food devices or flanges.
Type: ECP-SS

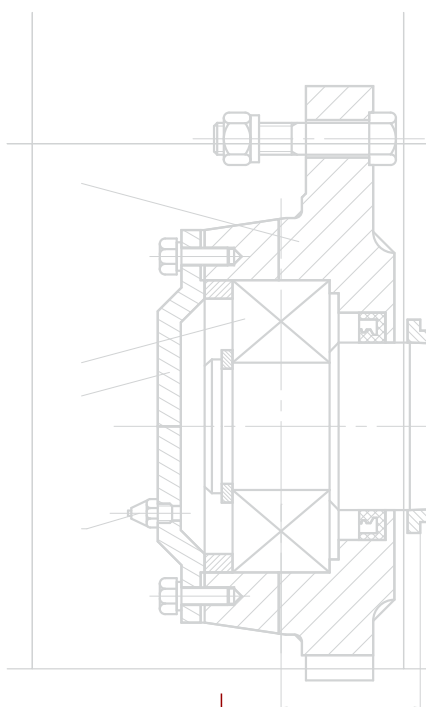


CENTRIFUGAL PUMP WITH SUNKEN IMPELLER AND DRY DRIVING SECTION

These are used for regulating the level of fluid in retaining reservoirs or wells. Transported liquids can be aggressive or non-aggressive.
Type: ECP-VB

TRANSFER DEVICE USED FOR TRANSFERRING LIQUID FROM ONE TANK TO ANOTHER

*This device is used when tanks are placed at different heights up to $\Delta h=50m$. These pumps have capacity of up to **10m³/h**. They are often used for quick transfer of oil in barrels and for filling containers or accumulators placed at bigger heights. The command cabinet provides the same direction of electric motor turns, dry-running protection, automatic turning off of the pump after the transfer, bimetallic electric motor protection.*
Type: ECP-SS





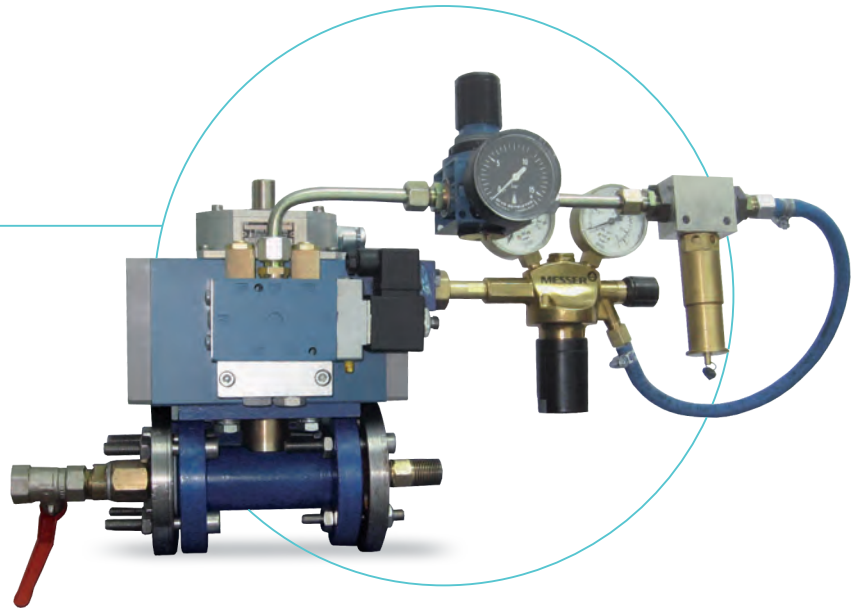
CONTROL DEVICES

BALL VALVES WITH PNEUMATIC DRIVE SYSTEM - ROTATING CYLINDERS

Pipeline gas is used to start the operating process (air, nitrogen, methane CNG, CO₂).

Pipeline pressure reduces in cascades until it reaches the pneumatic drive system. The valve is opened and closed by electrical or pneumatic impulse. These ball valves are made of stainless steel, carbon steel, brass.

Type: EJS-SP-PP-DD-KS

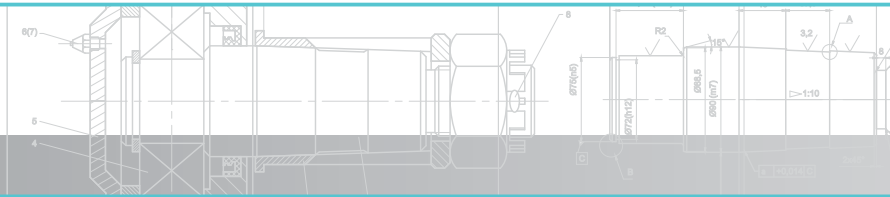


DEVICES FOR MAINTAINING THE LEVEL OF LIQUID IN CONTAINERS OR RESERVOIRS

This device is equipped with:

- a pump
- a suction basket
- a vacuum chamber for suction vacuuming
- a command cabinet
- upper and lower sondes
- dry-running protection
- bimetallic electric motor protection
- operating mode indicators

Type: ECP-ON-VP



MEASURING SYSTEMS FOR MEASURING FLOW OF TNG IN LIQUID PHASE

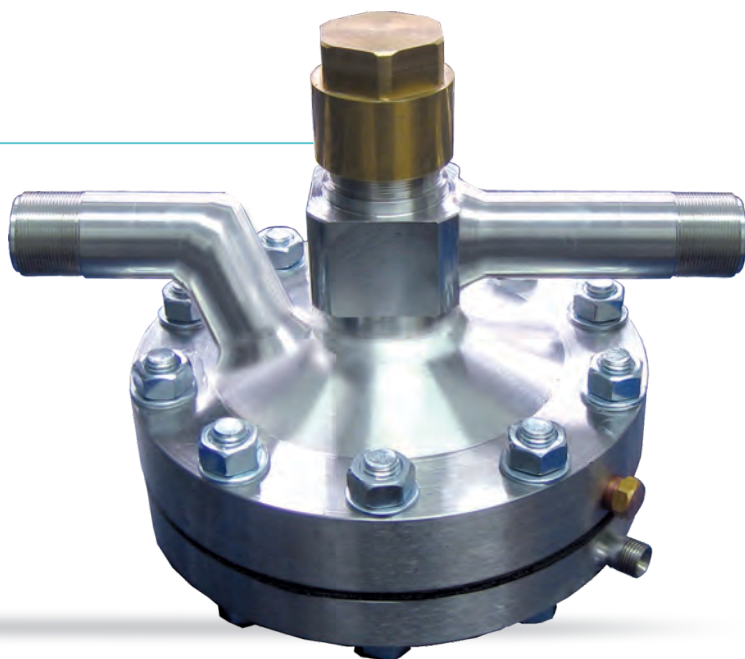
ERGON DOO PROVIDES:

- Production and mechanical processing of the parts
- WPS welding technology
- WPQR welding qualifications
- Welding jobs (certified welders)
- Hydro test up to 400bar
- Manufacturers test EN10204



GAS PRESSURE REGULATOR – MEMBRANE PRESSURE REGULATOR

Pressure regulation is executed by pilot regulator. Inlet pressure is up to 40bar, output pressure is 4-20 bar. Pipeline connection can be flanged or threaded.

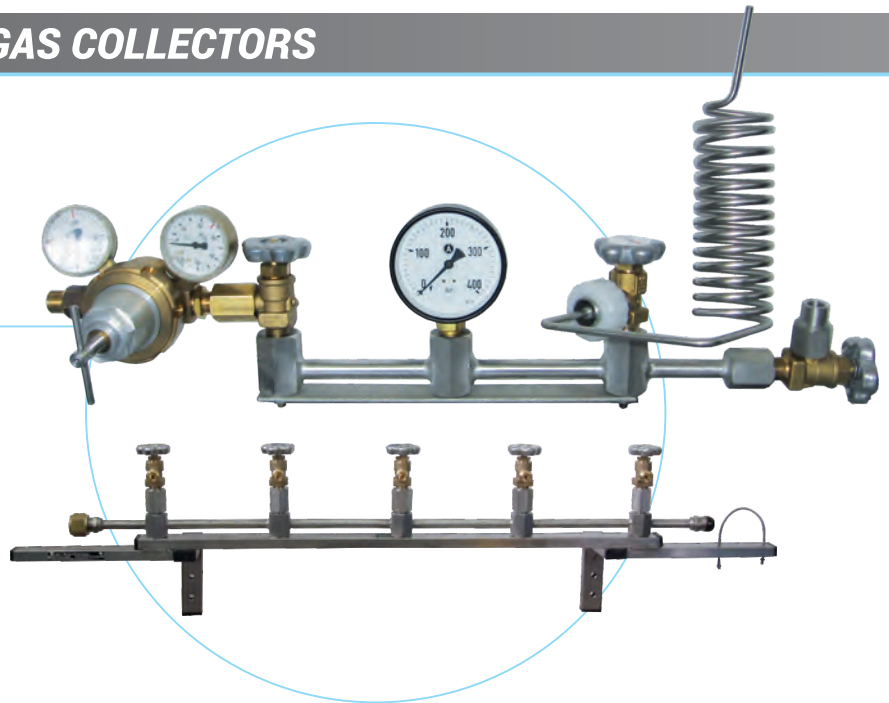




TECHNICAL GAS COLLECTORS

HIGH PRESSURE GAS COLLECTORS, PN300 BAR

These are made of stainless steel and used in bottling plants and in consumption of technical gases. Gas collectors can have as many connections as required.

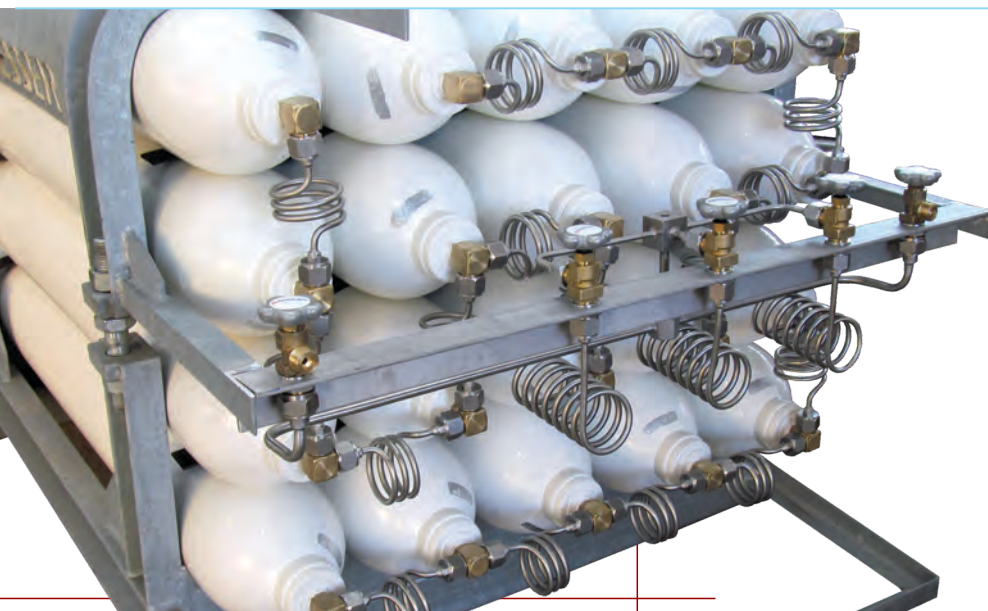
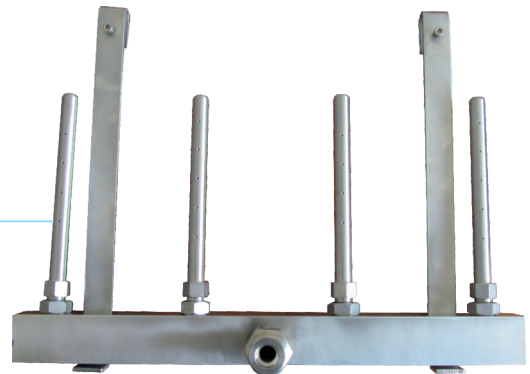


TECHNICAL GAS COLLECTORS

Gas collectors with quick hose couplings. This type of gas collectors is suitable for laboratories.

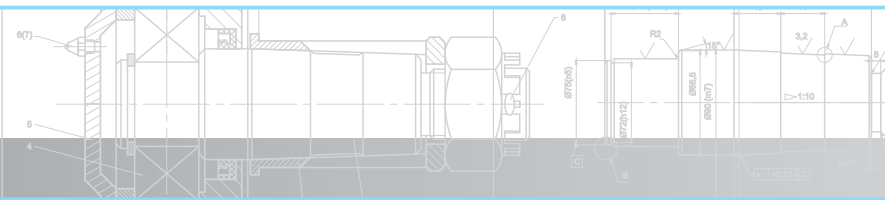
LIQUID NITROGEN SPRAY COLLECTOR

These are used in food industry. They are made of stainless steel.



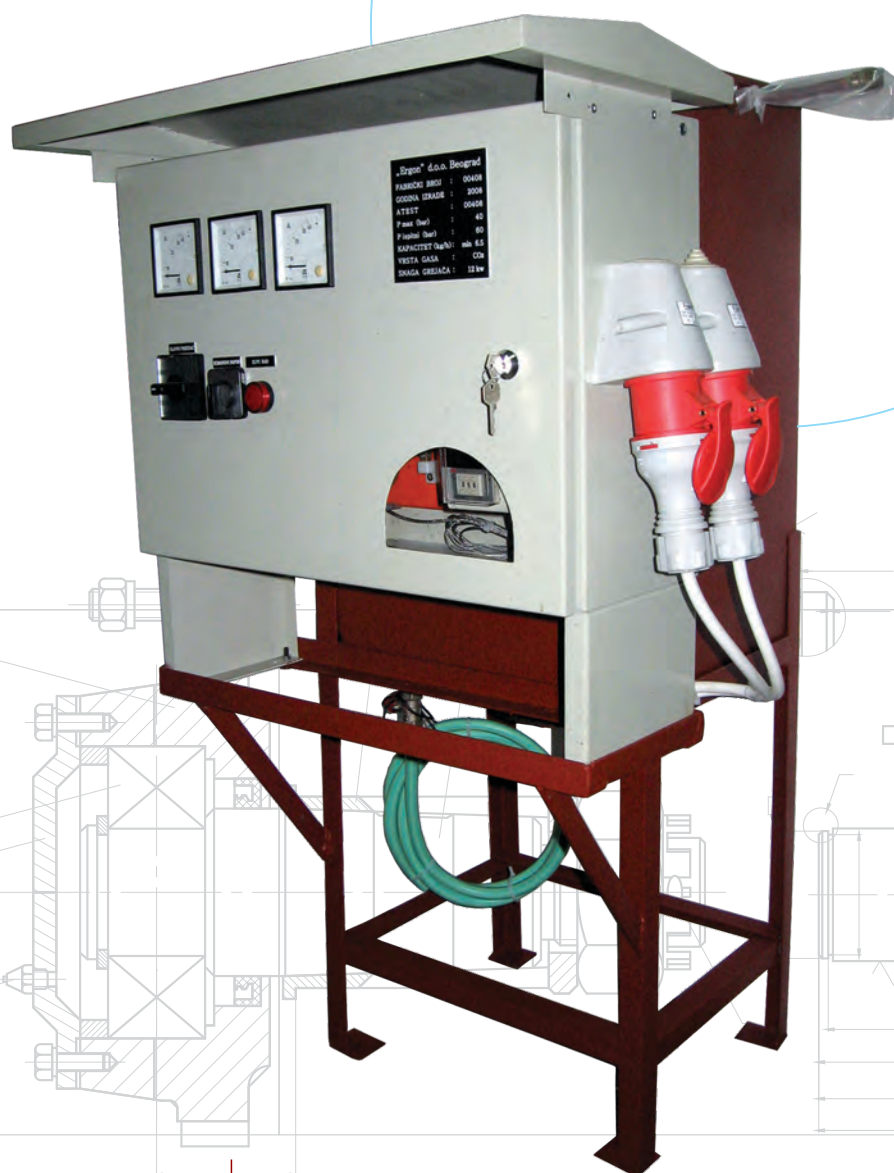
FLEXIBLE COUPLINGS FOR CYLINDERS

These couplings are made of stainless steel pipes. Thanks to their construction they are suitable for safe transport of cylinders and they also provide quick installation when cylinders are formed. Production of flexible couplings is followed by WPQR and every coupling is subject to hydro testing at 325bar. Report on visual and dimensional control and penetrant testing.



LIQUEFIED GAS REHEATER

- Power 6-24kw
- Output pressure up to $P_{max}=40\text{bar}$





PROCESS CONTROL PANELS

Preserving the environment is becoming an imperative in the 21st century. Instead of dangerous and harmful substances industrial gases are being increasingly used for treatment of water used in nutrition or for industrial waste water treatment.

The introduction of oxygen into the waste water tanks is improved by decomposition of biological compounds thanks to aerobic bacteria. Waste water rich in heavy metals is successfully treated with carbon dioxide which regulates PH in alkaline water in environmentally less harmful way.

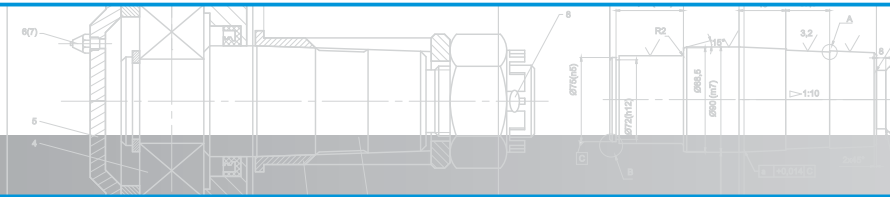
To design and build waste water treatment plants it is necessary that aeration systems be selected based on their technical features which define work efficiency, and this is achieved by controlling oxygen uptake capacity.

Food industry is a branch which has always been important, but now the need for production is expanding and healthy and biologically harmless way of storing food is now present more than ever.

Controlled fermentation, reduction of microbiological influence, maintenance of physical and biological characteristics can be achieved by using nitrogen.

**PANELS FOR SIMULTANEOUS PRESSURE AND FLOW CONTROL
USED FOR BURNING GASES AND NEUTRALIZING BOTTLES
CREATED IN ACCORDANCE WITH RECOMMENDATIONS OF
EIGA DISPOSAL OF GASES IGC DOCUMENT 30/13**



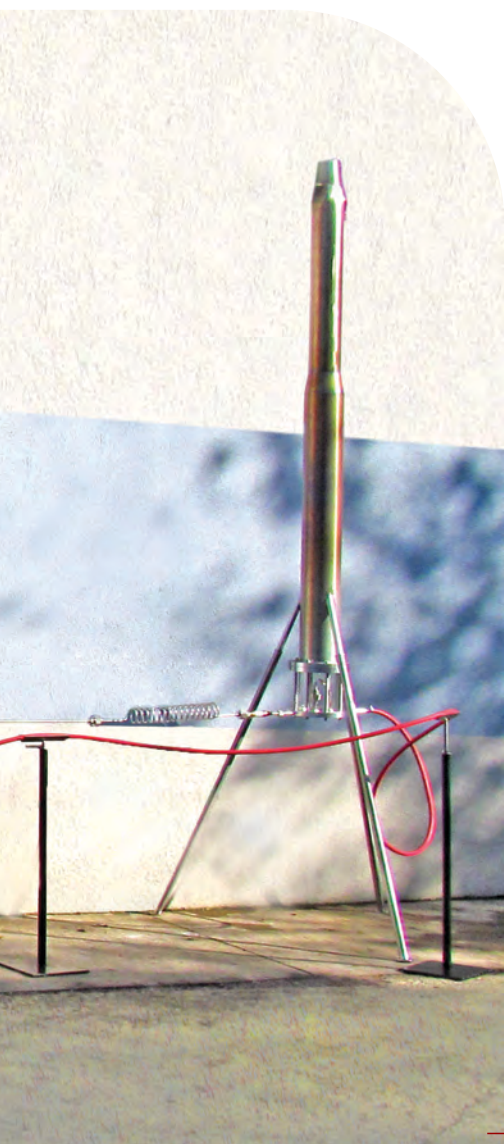


**NITROGEN CONTROL PANELS IN WINEMAKING,
WITH CHECK VALVE**



**CARBON DIOXIDE DOSING CONTROL PANELS
FOR REDUCTION OF THE PH LEVEL
IN ALKALINE WASTE WATER**

- The panel includes:*
- a check valve
 - nozzles
 - a needle valve
 - ball valves
 - flow meter
 - manometers
 - electromagnetic valve
 - connections





- CRYOGENIC EQUIPMENT

- CRYOGAS EQUIPMENT- O₂, N₂, Ar, CO₂, N₂O

SCREW NUT TR90X8

Screw nut TR90X8 with safety system and hose addition with external thread G6/4. Thanks to the safety system(key/keyhole) on the screw nut the nut can be tightened only on the flange provided for the same liquid gas. The screw nut contains little balls which enable turning of the hose connection. The screw nut and the hose connection are made of brass and the balls are made of stainless steel. It is used in liquid gas intake ducts. The screw nut is produced in accordance with EIGA 909/03/E standard (EIGA CRYOGENIC GASES COUPLINGS FOR TANKER FILLING).



FLANGE TR90X8

Flange TR90X8 with safety system. Thanks to the safety system(key/keyhole) on the flange the only screw nut which can be tightened on the flange is the one provided for the same liquid gas. The flange is made of stainless steel. It is used in liquid gas intake ducts. DN60 PN40 The flange is produced in accordance with EIGA 909/03/E standard (EIGA CRYOGENIC GASES COUPLINGS FOR TANKER FILLING).

BLIND CAP

Blind cap for liquid gas flange. It is used for transporting liquid gases as protection from leakage, in case of globe element failure. The blind cap contains a PTFE gasket and a chain which connects it with the intake place on transportation tanks. The blind cap is made of brass.

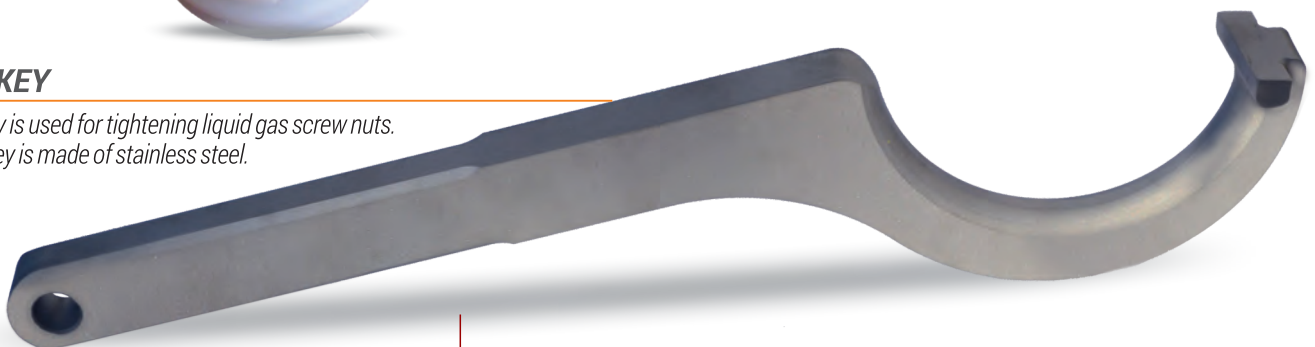


PROTECTION CORK

This cork protects the loose part of the hose for liquid gas transfer. There is a screw nut with a keyhole at the end of the hose. There is a key on the cork which fits the keyhole of the screw nut. The nut is made of PEHD and the chain is made of stainless steel.

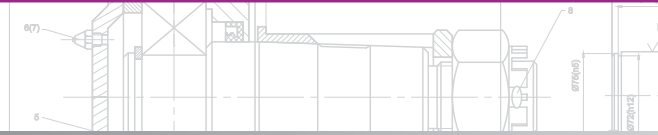
„S“ KEY

„S“ key is used for tightening liquid gas screw nuts. The key is made of stainless steel.





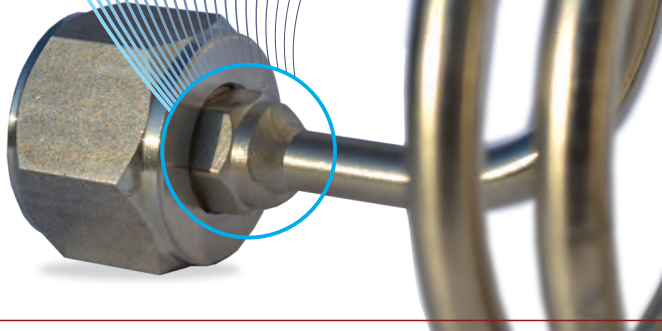
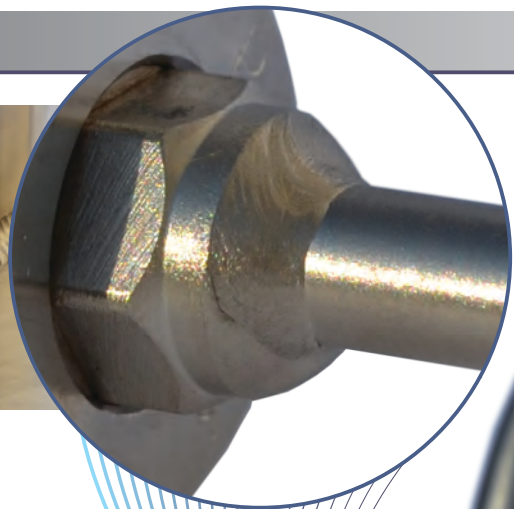
FITTINGS



Ergon doo produces fittings in accordance with **SRPS, ISO, DIN, ANSI, GOST** standards and non-standard elements depending on the client's request.
 Threaded elements include **G, R, NPT, W, UNF, M, Rd, TR**.
 We produce **SW, BW** elements and elements for orbital welding.
 We produce flanges in accordance with **SRPS, ISO, DIN, ANSI, GOST** standards.



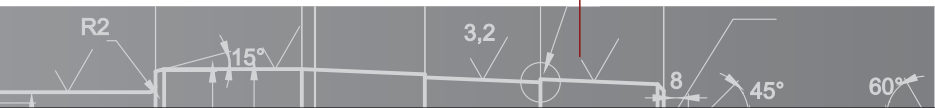
WELDING



Welding is a process widely used in all branches of industry, and production of pipelines and accompanying components can not be imagined without welding. Ergon doo offers welding services (TIG and REL) for elements on highly responsible positions and high pressure elements. Welding is executed with sophisticated equipment and technology. It is executed by certified welders under the supervision and technological help of welding engineers holding IWE and EVE licences.

Ergon can offer a complete service, from production welding technology (WPS), welder performance qualification record (WPQR), preparation of elements to be welded, welding and tests of welded connections.

Ergon also owns a hydrostatic testing device for pressure up to 600 bar.





www.ergon-doo.com

CONTACT

ERGON D.O.O. Crnotravska 11
11000 Belgrade, Serbia

tel/fax: +381 11 39 06 026
tel/fax: +381 11 39 06 894

e-mail-1: office@ergon-doo.com
e-mail-2: ergon.doo@gmail.com

General manager: Zvonko Bagarić
mob: +381 64 29 60 365
zvonko.bagarić@ergon-doo.com

